

# Parts and Accessories Bulletin



Suzuki Marine USA, LLC

BULLETIN NO. PA 21-22

DATE: December 20, 2021

## Mechanical Engine, Suzuki Precision Control (S.P.C.) 2.0, & Suzuki Multifunction Gauge (SMG) Compatibilities

This bulletin will provide an overview of the compatibility for mechanical engines as well as the installation changes for SMG between 3-Series Engines / S.P.C. 1.0 and 4-series Engines / S.P.C. 2.0. This bulletin will also provide information regarding part number cancellations, alternate ordering instructions, and new rigging schematics for SMG and S.P.C. 2.0.

### SMG with Single Engine Mechanical (See bulletin PA21-21 for more info)

There are no major changes to using SMG with single mechanical engine installations, the mechanical engine adapter 36661-96L30 is still required with SMG 34011-96L41.

Mechanical Engine Series	Control Type	Gauge Adapter Required	SMG	Single Engine Kit	Notes
3-Series	Mechanical	36661-96L30	34011-96L41	34000-96L48	Kit includes (1) SMG and (1) mechanical adapter
4-Series					

### SMG with Dual Engine Mechanical

There are no major changes to using SMG with dual mechanical engine installations.

Mechanical Engine Series	Control Type	SMG	Dual Engine Kit	Notes
3-Series	Mechanical	34011-96L41	990C0-96L56-KIT	See kit contents below
4-Series				

990C0-96L56-KIT includes:

Part #	Desc.	Qty
34011-96L41	SMG	2
36665-87L10	Mech Multi-Engine Adapter	1
990C0-88104	2' N2K Cable	2
990C0-88112	N2K Power	1
990C0-88110	Backbone Tee	2
990C0-88113	Terminator (F)	1
990C0-88114	Terminator (M)	1
36661-96L30	Mechanical Gauge Adapter	2

© 2021 Suzuki Marine, USA, LLC. All rights reserved.

13521 Prestige Place Tampa, FL 33635 Office (813) 687-7200 - Fax (813) 687-7204

# Parts and Accessories Bulletin



Suzuki Marine USA, LLC

BULLETIN NO. PA 21-22

DATE: December 20, 2021

## New S.P.C. 2.0 & SMG Compatibility

### SMG with Single Engine S.P.C.

Part number 34000-96L68 Single Engine S.P.C. SMG Kit will be discontinued—please see bulletin PA21-23 for more information

S.P.C. 2.0 no longer requires an adapter harness (36661-96L20) to connect SMG (34011-96L41) to the BCM harness, SMG now connects directly to the BCM harness. For single engine S.P.C. installations, please order SMG 34011-96L41 only. If using SMG with S.P.C. 1.0 rigging, adapter is required, please order adapter separately. See below compatibility chart and part numbers.

S.P.C. Engine Series	Control Type	Gauge Adapter Required	SMG	Single Engine Kit	Notes
3-Series	S.P.C. 1.0	36661-96L20	34011-96L41	<b>34000-96L68</b>	Single S.P.C. SMG Kit 34000-96L68 will be <b>discontinued</b> . Please order gauge and adapter separately if required.
4-Series					
4-Series	S.P.C. 2.0	No Adapter Required	34011-96L41	N/A	No adapter required to connect

### SMG with Dual Engine S.P.C.

Part number 990C0-96L76-KIT Dual Engine S.P.C. SMG Kit will be discontinued—please see bulletin PA21-23 for more information

Due to the new installation guidelines with S.P.C. 2.0 and SMG, the dual S.P.C. Kit 990C0-96L76-KIT will be discontinued.

S.P.C. Engine Series	Control Type	SMG	Dual Engine Kit	Notes
3-Series	S.P.C. 1.0	34011-96L41	<b>990C0-96L76-KIT</b>	Dual S.P.C. Kit 990C0-96L76-KIT will be <b>discontinued</b> . Please see contents listing below and order separately if required.
4-Series				
4-Series	S.P.C. 2.0	34011-96L41	N/A	See required components below and order separately

If 990C0-96L76-KIT (S.P.C. 1.0) is required, please order contents individually, see below:

990C0-96L76-KIT Dual S.P.C. Kit (S.P.C. 1.0)		
Part #	Desc.	Qty
34011-96L41	SMG	2
36661-96L20	S.P.C. Adapter	1
36667-96L00	Multi-Engine Adapter	1
990C0-88104	2' N2K Cable	2
990C0-88110	Backbone Tee	2
990C0-88112	Terminator (F)	1
990C0-88113	Terminator (M)	1
990C0-88114	Male Terminator	1

See following page for more S.P.C. 2.0 SMG ordering information



# Parts and Accessories Bulletin



Suzuki Marine USA, LLC

BULLETIN NO. PA 21-22

DATE: December 20, 2021

## New S.P.C. 2.0 & SMG Ordering Information

See below ordering guide for engine data only, no speed data. Select column to match number of engines on board, order matching quantities of part numbers for product at left

# of Engines		1	2	3	4
Part #	Description	Qty Req.	Qty Req.	Qty Req.	Qty Req.
34011-96L41	SMG	1	2	3	4
36667-96L40	Multi-Engine Adapter	-	1	2	3
36667-96L50*	Multi-Engine Adapter				
36667-96L60	Gauge extension (optional)	-	-	-	-
*Same usage as 36667-96L40, but has connections for a 3rd and 4th tank if needed					

See below ordering guide for engine and speed. Select column to match number of engines on board, order matching quantities of part numbers for product at left

# of Engines		1	2	3	4
Part #	Description	Qty Req.	Qty Req.	Qty Req.	Qty Req.
34011-96L41	SMG	1	2	3	4
36667-96L40	Multi-Engine Adapter	-	1	2	3
36667-96L50	Multi-Engine Adapter*				
36667-96L60	Gauge extension (optional)	-	-	-	-
990C0-88L00-KIT	N2K Starter Kit	1	1	1	1
990C0-88317	Paddle Wheel Speed Sensor	1**	1**	1**	1**
990C0-88122	GPS Module				
990C0-88104	2' N2K Cable	-	1	2	3
990C0-88110	N2K Tee	-	1	2	3
*Same usage as 36667-96L40, but has connections for a 3rd and 4th tank if needed					
** Choose 1 speed source, either paddle wheel or GPS puck (optional)					

**See following pages for new SMG S.P.C. 2.0 rigging diagrams. These can also be found in the Technical Library on Suzuki Connect in the digital engine setup manuals.**

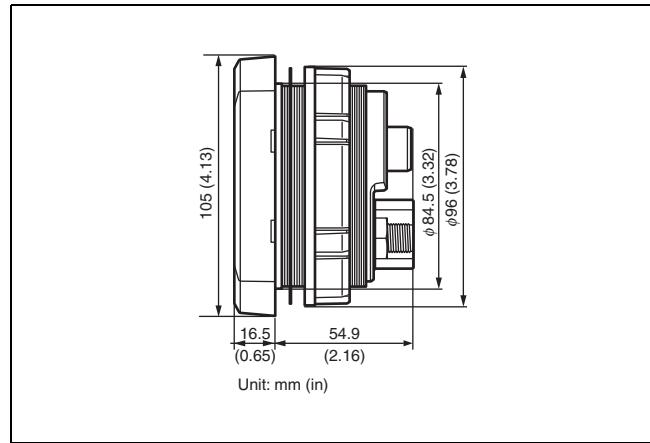
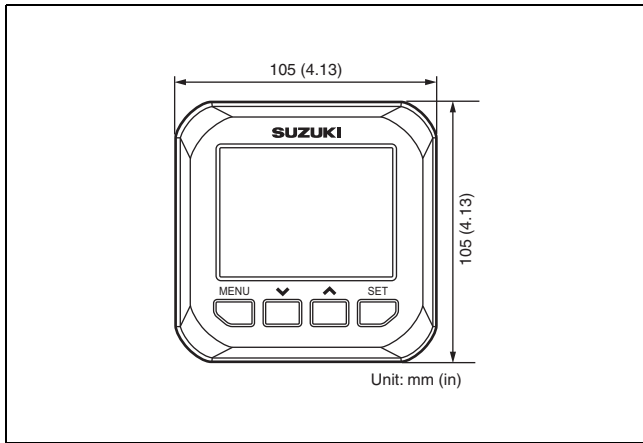
# MULTI FUNCTION GAUGE

## NOTICE

Installing the gauges in an inappropriate location can result in gauge failure or operating difficulties.

- Do not install the gauge in a location where it is likely to be sprayed with water. Exposure to water can cause failure of the gauge.
- Install the gauges on the dashboard so that they can be easily operated and viewed by the operator.

## GAUGE DIMENSIONS



## GAUGE INSTALLATION

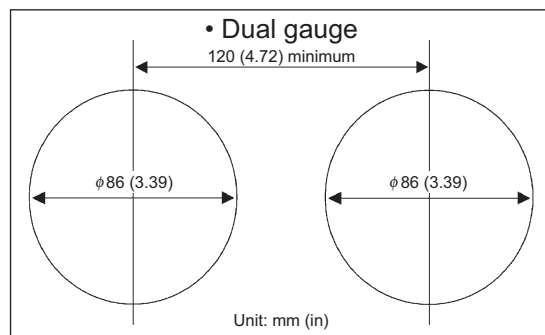
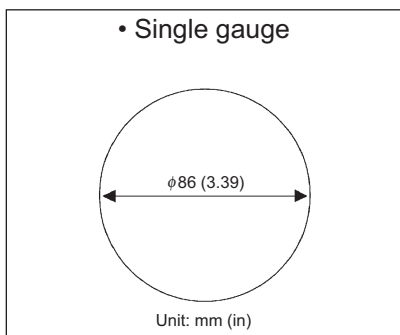
### HOLE SIZE

#### NOTE:

Check area behind the panel to be sure there is adequate clearance for installing instruments and wires and to make sure that other components will not be contacted when cutting holes.

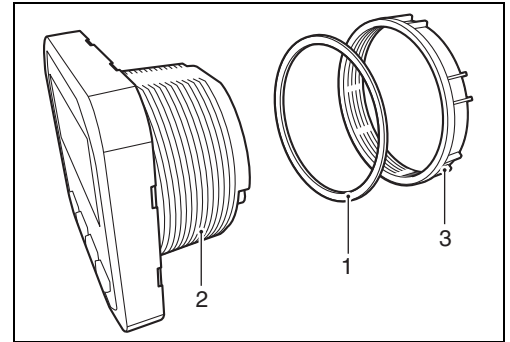
Installation, Multi Function Gauge:

- Panel cut-out, 85 mm (3.35 in) hole saw



## FASTENING TO PANEL

- (1) Install the gasket (1) to gauge.
- (2) Insert the gauge (2) into panel hole.
- (3) Thread the nut (3) onto threaded housing of gauge and tighten to back of panel.



## MULTI FUNCTION GAUGE SYSTEM CONNECTION

Select the connection method from the examples in the following pages and arrange the required wiring.

### NOTE:

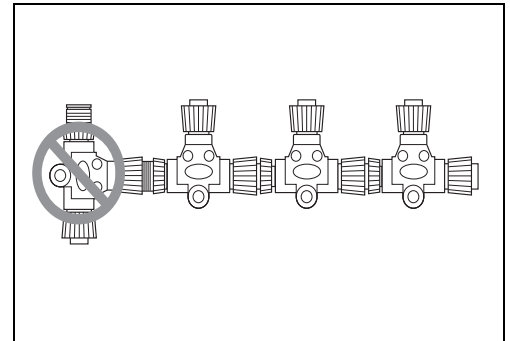
*For setting up the multi-function gauge, refer to "INSTALLATION INSTRUCTION MANUAL" packed in the gauge.*

### T- Connector

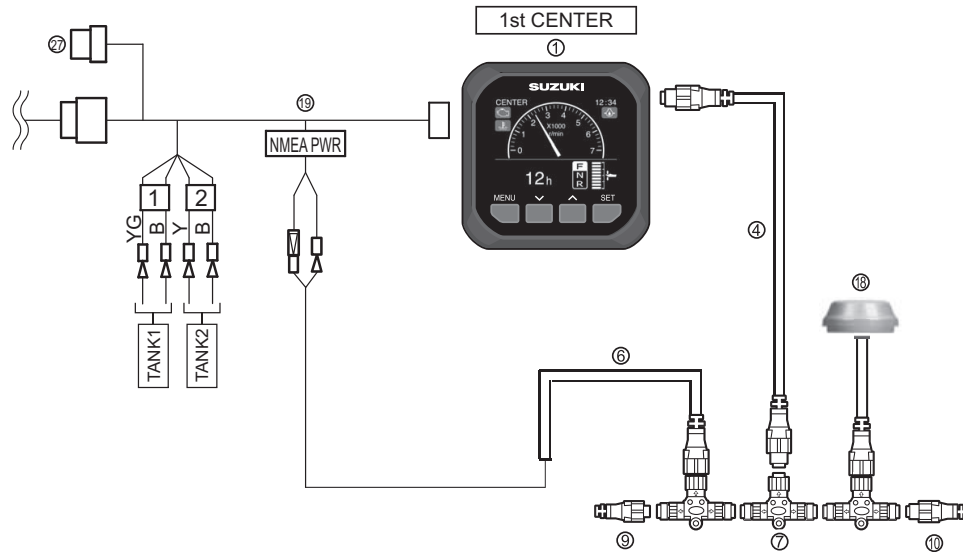
T-Connectors must be connected to be in a straight line as shown in the illustration.

### NOTE:

- *Secure the T-connectors to a solid surface or to an existing wire harness, do not leave them free-floating.*
- *Do not overstress cables or connectors by using excessive force when tightening or pulling.*

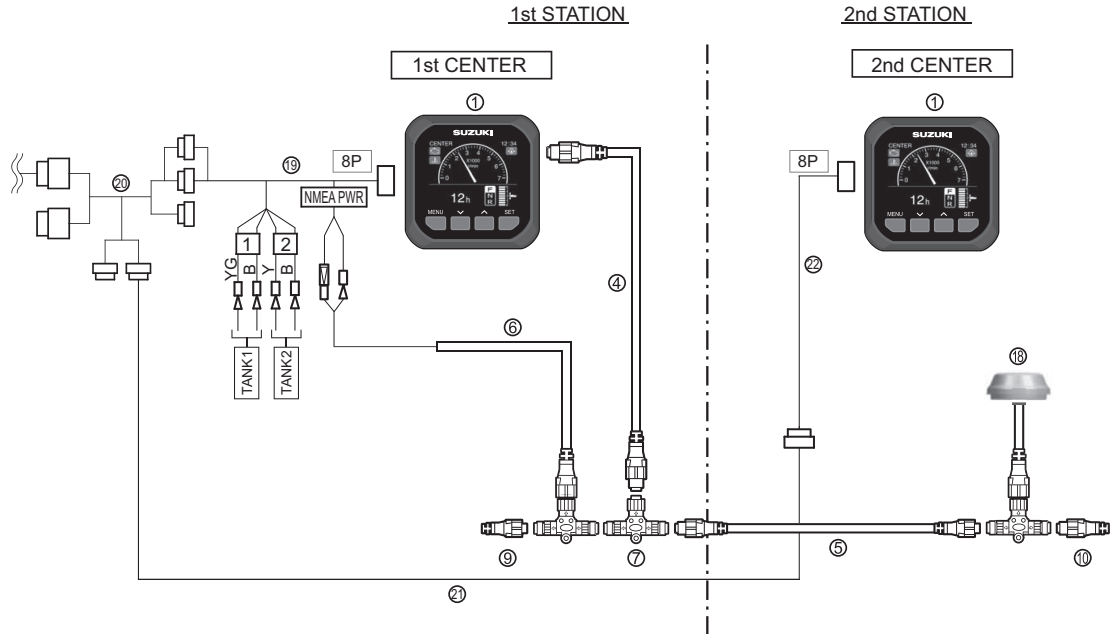


# SINGLE ENGINE – SINGLE STATION



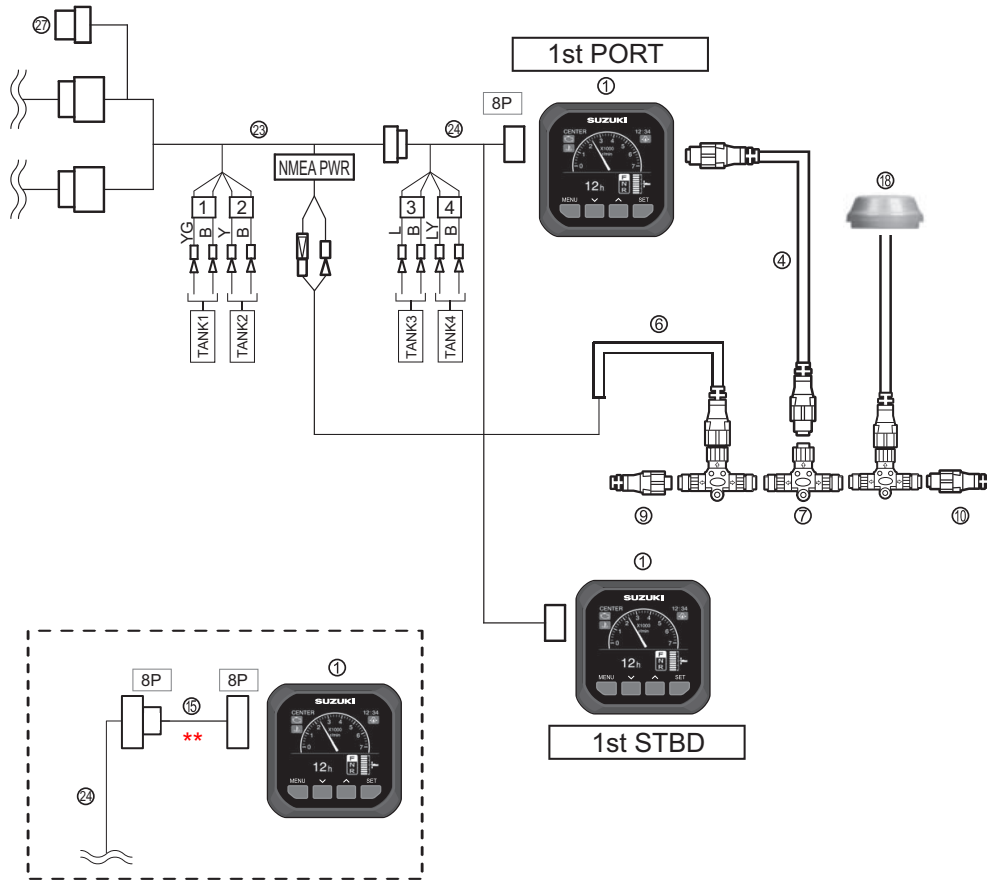
No.	Part Name	Part No.	Quantity
①	Suzuki Multifunction Gauge	34011-96L41	1
④	2' N2K Cable	990C0-88104	1
	6' N2K Cable	990C0-88105	
⑥	N2K Power Cable	990C0-88112	1
⑦	N2K Tee	990C0-88110	1
⑨	Terminator (F)	990C0-88113	1
⑩	Terminator (M)	990C0-88114	1
⑱	Paddle Wheel Speed Sensor	990C0-88317	1
	GPS Module (Pictured)	990C0-88122	
⑲	BCM Harness #1	36623-98L00	—
⑳	Terminal Resistor	33926-98L00	—

# SINGLE ENGINE – DUAL STATION



No.	Part Name	Part No.	Quantity
①	Suzuki Multifuction Gauge	34011-96L41	2
④	2' N2K Cable	990C0-88104	1
	6' N2K Cable	990C0-88105	
⑤	15' N2K Cable	990C0-88107	(1)
	25' N2K Cable	990C0-88108	
⑥	N2K Power Cable	990C0-88112	1
⑦	N2K Tee	990C0-88110	1
⑨	Terminator (F)	990C0-88113	1
⑩	Terminator (M)	990C0-88114	1
⑱	Paddle Wheel Speed Sensor	990C0-88317	1
	GPS Module (Pictured)	990C0-88122	
⑲	BCM Harness #1 (Single)	36623-98L00	—
⑳	2nd Station Main Harness	36622-98L00	—
㉑	21' Main Harness	36620-98L00	—
	31' Main Harness	36620-98L10	
㉒	BCM Harness #2 (Single)	36624-98L00	—

## DUAL ENGINES – SINGLE STATION



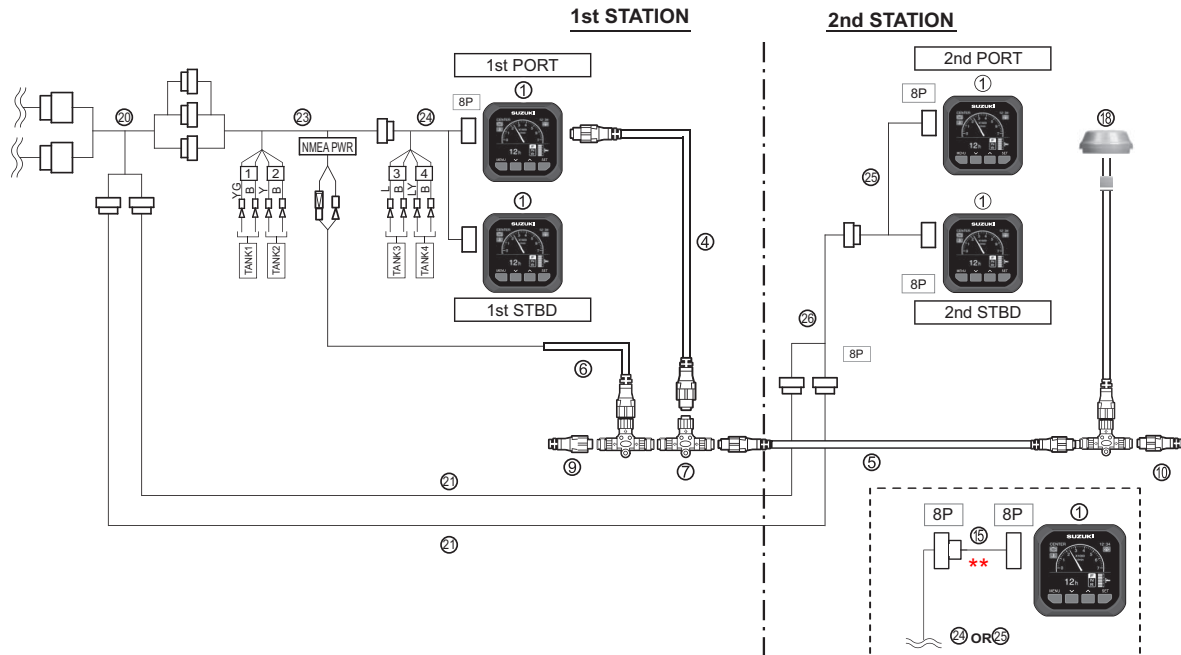
No.	Part Name	Part No.	Quantity
①	Suzuki Multifunction Gauge	34011-96L41	2
④	2' N2K Cable	990C0-88104	1
	6' N2K Cable	990C0-88105	
⑥	N2K Power Cable	990C0-88112	1
⑦	N2K Tee	990C0-88110	1
⑨	Terminator (F)	990C0-88113	1
⑩	Terminator (M)	990C0-88114	1
⑮	SMG Gauge Extension, 2' (Optional)	36667-96L60	–
⑱	Paddle Wheel Speed Sensor	990C0-88317	1
	GPS Module (Pictured)	990C0-88122	
⑳	BCM Harness #1 (Multi)	36623-98L30	–
㉔	Multi-Gauge Adapter	36667-96L40	1
		36667-96L50*	
㉗	Terminal Resistor	33926-98L00	–

\* 36667-96L50, Similar to -96L40, but includes connections for 3rd and 4th tank, if necessary

\*\* ⑮ SMG Gauge Extension only used if necessary



# DUAL ENGINES – DUAL STATION

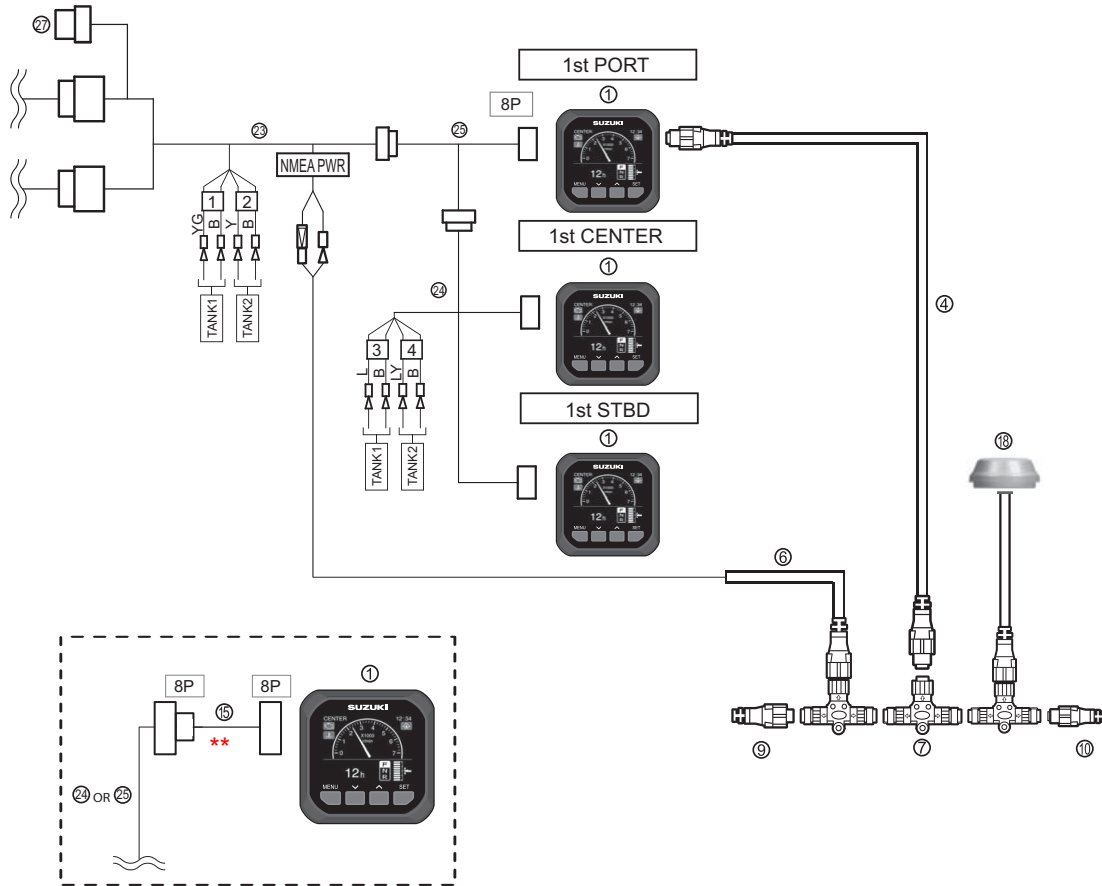


No.	Part Name	Part No.	Quantity
①	Suzuki Multifunction Gauge	34011-96L41	4
④	2' N2K Cable	990C0-88104	1
	6' N2K Cable	990C0-88105	
⑤	15' N2K Cable	990C0-88107	(1)
	25' N2K Cable	990C0-88108	
⑥	N2K Power Cable	990C0-88112	1
⑦	N2K Tee	990C0-88110	1
⑨	Terminator (F)	990C0-88113	1
⑩	Terminator (M)	990C0-88114	1
⑮	SMG Gauge Extension, 2' (Optional)	36667-96L60	—
⑱	Paddle Wheel Speed Sensor	990C0-88317	1
	GPS Module (Pictured)	990C0-88122	
⑳	2nd Station Main Harness	36622-98L00	—
㉑	21' Main Harness	36620-98L00	—
	31' Main Harness	36620-98L10	
㉓	BCM Harness #1 (Multi)	36623-98L30	—
㉔	Multi-Gauge Adapter, w/ 3rd & 4th Tank	36667-96L50*	1
㉕	Multi-Gauge Adapter	36667-96L40	1
㉖	BCM Harness #2 (Multi)	36624-98L10	—

\* 36667-96L50, Similar to -96L40, but includes connections for 3rd and 4th tank, if necessary

\*\* ⑮ SMG Gauge Extension only used if necessary

## TRIPLE ENGINES – SINGLE STATION

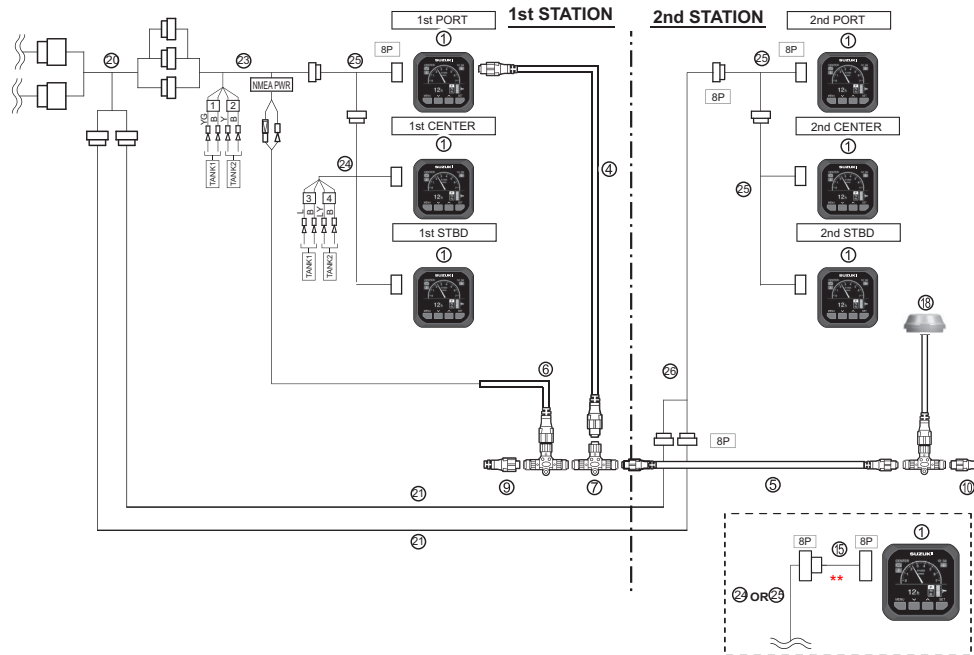


No.	Part Name	Part No.	Quantity
①	Suzuki Multifunction Gauge	34011-96L41	3
④	2' N2K Cable	990C0-88104	1
	6' N2K Cable	990C0-88105	
⑥	N2K Power Cable	990C0-88112	1
⑦	N2K Tee	990C0-88110	1
⑨	Terminator (F)	990C0-88113	1
⑩	Terminator (M)	990C0-88114	1
⑮	SMG Gauge Extension, 2' (Optional)	36667-96L60	–
⑱	Paddle Wheel Speed Sensor	990C0-88317	1
	GPS Module (Pictured)	990C0-88122	
⑳	BCM Harness #1 (Triple)	36623-98L30	–
㉔	Multi-Gauge Adapter, w/ 3rd & 4th Tank	36667-96L50*	1
㉕	Multi-Gauge Adapter	36667-96L40	1
㉗	Terminal Resistor	33926-98L00	–

\* 36667-96L50, Similar to -96L40, but includes connections for 3rd and 4th tank, if necessary

\*\* ⑮ SMG Gauge Extension only used if necessary

# TRIPLE ENGINES – DUAL STATION

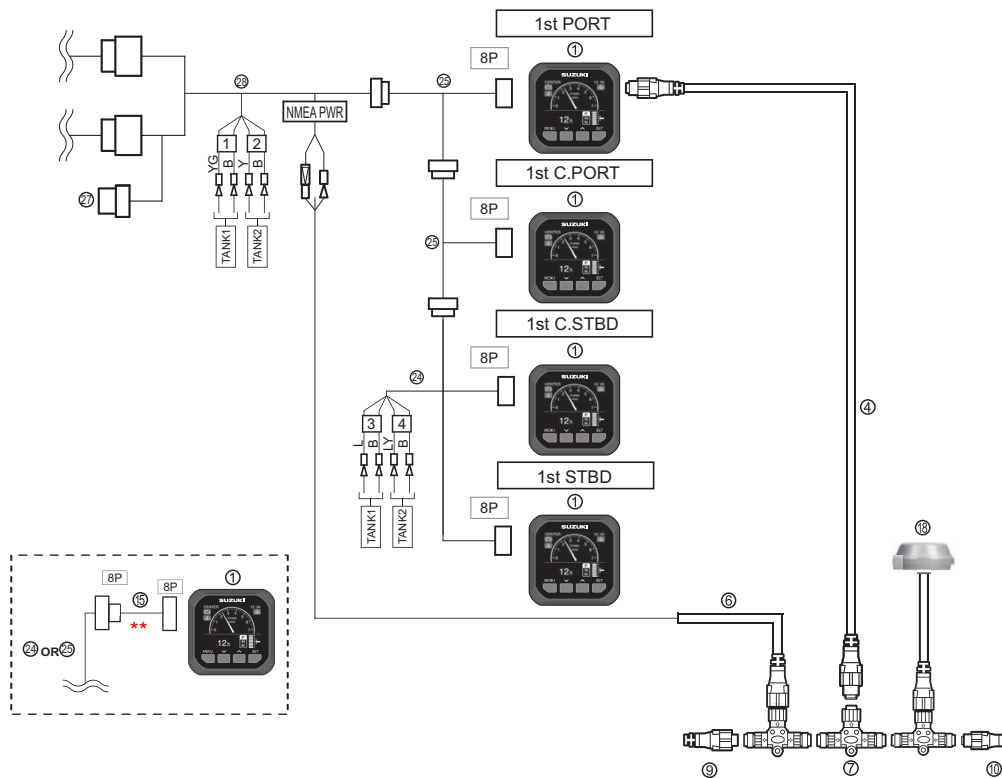


No.	Part Name	Part No.	Quantity
①	Suzuki Multifuction Gauge	34011-96L41	6
④	2' N2K Cable	990C0-88104	1
	6' N2K Cable	990C0-88105	
⑤	15' N2K Cable	990C0-88107	(1)
	25' N2K Cable	990C0-88108	
⑥	N2K Power Cable	990C0-88112	1
⑦	N2K Tee	990C0-88110	1
⑨	Terminator (F)	990C0-88113	1
⑩	Terminator (M)	990C0-88114	1
⑮	SMG Gauge Extension, 2' (Optional)	36667-96L60	—
⑱	Paddle Wheel Speed Sensor	990C0-88317	1
	GPS Module (Pictured)	990C0-88122	
⑳	2nd Station Main Harness	36622-98L00	—
㉑	21' Main Harness	36620-98L00	—
	31' Main Harness	36620-98L10	
㉓	BCM Harness #1 (Triple)	36623-98L30	—
㉔	Multi-Gauge Adapter, w/ 3rd & 4th Tank	36667-96L50*	1
㉕	Multi-Gauge Adapter	36667-96L40	3
㉖	BCM Harness #2 (Multi)	36624-98L10	—

\* 36667-96L50, Similar to -96L40, but includes connections for 3rd and 4th tank, if necessary

\*\* ⑮ SMG Gauge Extension only used if necessary

# QUADRUPLE ENGINES – SINGLE STATION

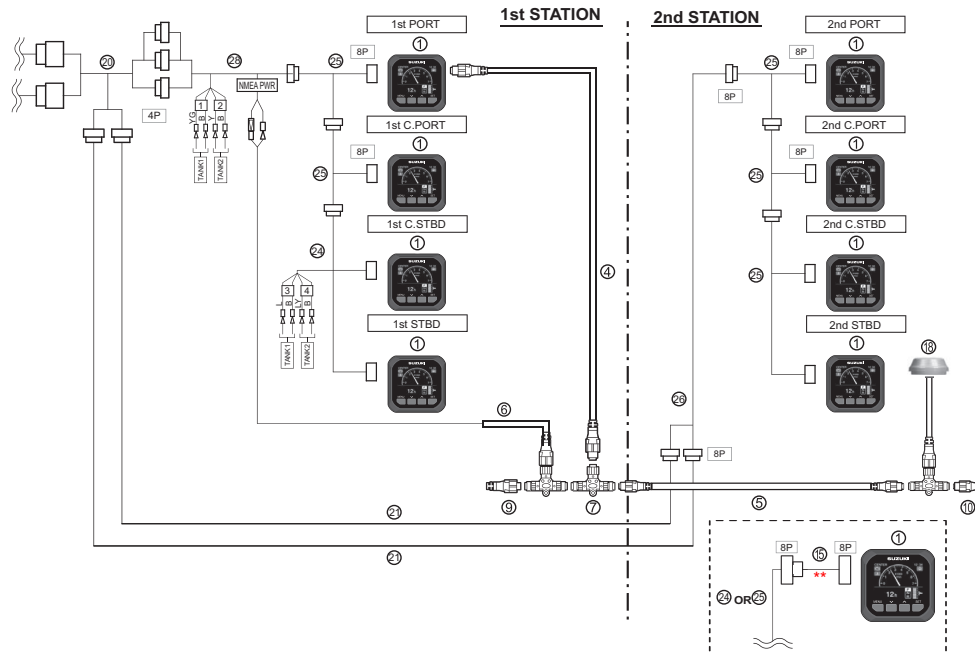


No.	Part Name	Part No.	Quantity
①	Suzuki Multifuction Gauge	34011-96L41	4
④	2' N2K Cable	990C0-88104	1
	6' N2K Cable	990C0-88105	
⑥	N2K Power Cable	990C0-88112	1
⑦	N2K Tee	990C0-88110	1
⑨	Terminator (F)	990C0-88113	1
⑩	Terminator (M)	990C0-88114	1
⑮	SMG Gauge Extension, 2' (Optional)	36667-96L60	–
⑱	Paddle Wheel Speed Sensor	990C0-88317	1
	GPS Module (Pictured)	990C0-88122	
⑳	Multi-Gauge Adapter, w/ 3rd & 4th Tank	36667-96L50*	1
㉕	Multi-Gauge Adapter	36667-96L40	2
㉗	RESISTOR, TERMINAL	33926-98L00	–
㉘	BCM Harness #1 (Quadruple)	36623-98L40	–

\* 36667-96L50, Similar to -96L40, but includes connections for 3rd and 4th tank, if necessary

\*\* ⑮ SMG Gauge Extension only used if necessary

# QUADRUPLE ENGINES – DUAL STATION



No.	Part Name	Part No.	Quantity
①	Suzuki Multifuction Gauge	34011-96L41	8
④	2' N2K Cable	990C0-88104	1
	6' N2K Cable	990C0-88105	
⑤	15' N2K Cable	990C0-88107	(1)
	25' N2K Cable	990C0-88108	
⑥	N2K Power Cable	990C0-88112	1
⑦	N2K Tee	990C0-88110	1
⑨	Terminator (F)	990C0-88113	1
⑩	Terminator (M)	990C0-88114	1
⑮	SMG Gauge Extension, 2' (Optional)	36667-96L60	—
⑱	Paddle Wheel Speed Sensor	990C0-88317	1
	GPS Module (Pictured)	990C0-88122	
⑳	2nd Station Main Harness	36622-98L00	—
㉑	21' Main Harness	36620-98L00	—
	31' Main Harness	36620-98L10	
㉔	Multi-Gauge Adapter, w/ 3rd & 4th Tank	36667-96L50*	1
㉕	Multi-Gauge Adapter	36667-96L40	5
㉖	BCM Harness #2 (Quadruple)	36624-98L20	—
㉘	BCM Harness #1 (Quadruple)	36623-98L40	—

\* 36667-96L50, Similar to -96L40, but includes connections for 3rd and 4th tank, if necessary

\*\* ⑮ SMG Gauge Extension only used if necessary